

GEN-II MUZZLE BRAKE

FITTING INSTRUCTIONS

Congratulations on the purchase of your new GCPD Arms Gen-II muzzle brake.

After undergoing a considerable development process and rigorous testing, both in the field and in the lab, we are confident you have bought one of the best muzzle brakes available on the world market.

Being 100% Australian made from the finest grade of aircraft specification steel alloy, precision CNC machined, heat treated and nitrided, this muzzle brake will provide years of reliable service.

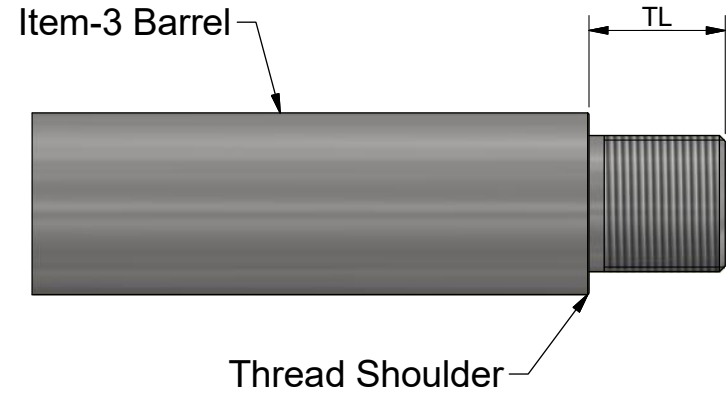
Thank you from the GCPD crew and happy hunting!

Thread Length Specifications

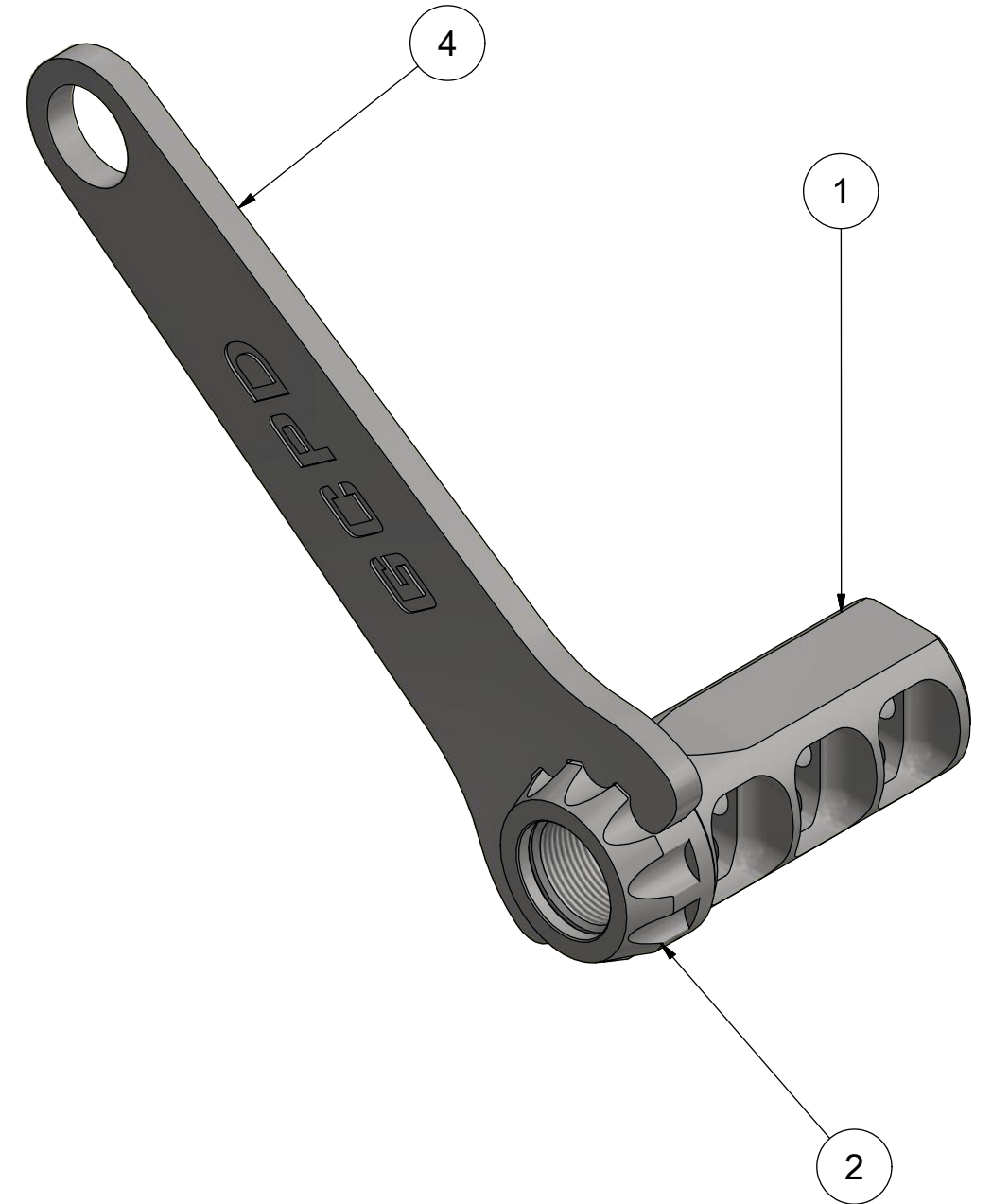
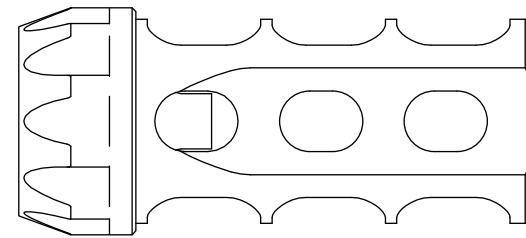
Optimum Thread Length (TL) = 17mm

Minimum Thread length (TL) = 12mm

Important note Please ensure that minimum thread length is provided



Top View (Top port model indicated)



Step-1 Screw Jamb nut (Item-2) onto muzzle brake (Item-1) until it lightly contacts the end face or extremity of travel

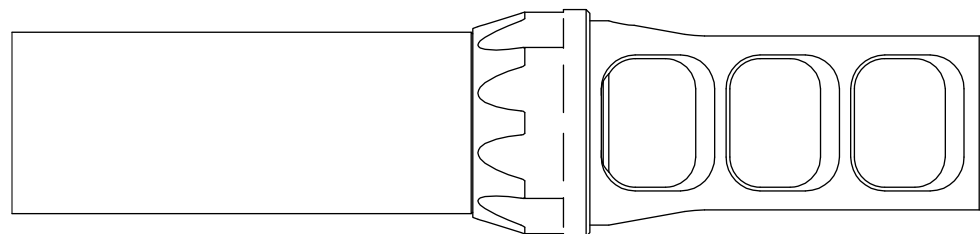
Step-2 With anti-seize paste or high quality grease applied to thread, screw the muzzle brake assembly onto the correctly threaded barrel (Item-3) until the back of jam nut (Item-2) makes light contact with muzzle shoulder.

Step-3 Un-screw muzzle brake assembly from the shoulder, to the nearest position where the 3 large ports of muzzle brake (Item-1) are sitting perfectly horizontal. Ensure if your muzzle brake is a top ported model, that these smaller ports are facing in the vertical up position.

Step-4 Whilst firmly holding the muzzle brake (Item-1) in the correct orientation, unscrew the jamb nut (Item-2) against the the muzzle shoulder, to set the position

Step-5 Using the supplied spanner, tighten jamb nut (Item-2) firmly against muzzle shoulder. Be careful not to over-tighten as this locking method only requires moderate clamping force to hold in place.

Completed Installation
Side-on View



PARTS LIST			
ITEM	DESCRIPTION	MATERIAL	QTY
1	GEN-II- Muzzle Brake	Steel, Alloy	1
2	GEN-II-Jamb-Nut	Steel, Alloy	1
3	Rifle Barrel	Stainless Steel	1
4	Muzzle-Brake-Spanner	Stainless Steel	1